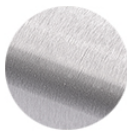


**KEGWORKS  
EXCLUSIVE**

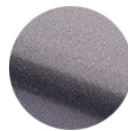
## AVAILABLE FINISHES



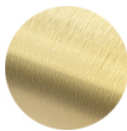
BRUSHED  
STAINLESS



POLISHED  
STAINLESS



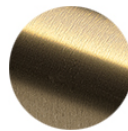
GUNMETAL  
GREY



BRUSHED  
BRASS



POLISHED  
BRASS



ANTIQUE  
BRASS



SUNSET  
COPPER

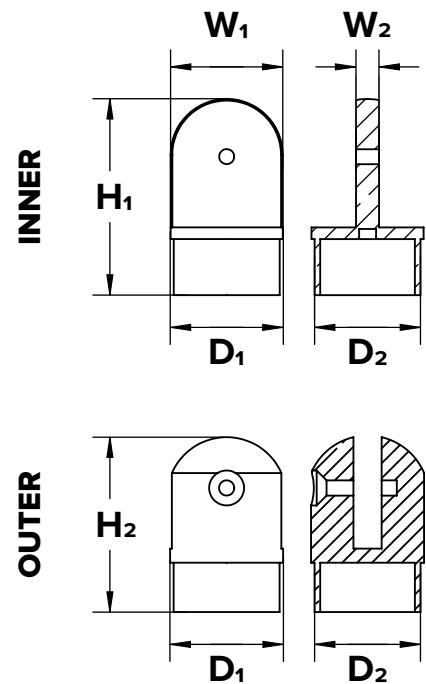


OIL RUBBED  
BRONZE



MATTE  
BLACK

**CUSTOM COLORS ARE AVAILABLE BY REQUEST**



## DIMENSIONS

(W <sub>1</sub> )	<b>WIDTH 1</b>	2.00"
(W <sub>2</sub> )	<b>WIDTH 2</b>	0.41"
(H <sub>1</sub> )	<b>HEIGHT 1</b>	3.50"
(H <sub>2</sub> )	<b>HEIGHT 2</b>	3.10"
(D <sub>1</sub> )	<b>DIAMETER 1</b>	2.00"
(D <sub>2</sub> )	<b>DIAMETER 2</b>	1.89"

## INSTALLATION

1. Completely secure the first section of bar rail tubing to the bar face or wall.
2. Insert elbow fitting into the end of the secured section of tubing.
3. Adjust elbow fitting to the desired angle.
4. Connect the second piece of tubing to the elbow fitting.
5. Secure the second section of bar rail tubing to bar face

Care and maintenance of bar foot rail varies by finish. Given the nature of the product, typical wear and tear may be noticed with your bar rail over time, such as scuffs, scratches, and dirt. Visit [kegworks.com/bar-rail-care](http://kegworks.com/bar-rail-care) to read our guide on how to properly prep, clean & maintain all bar rail finishes.